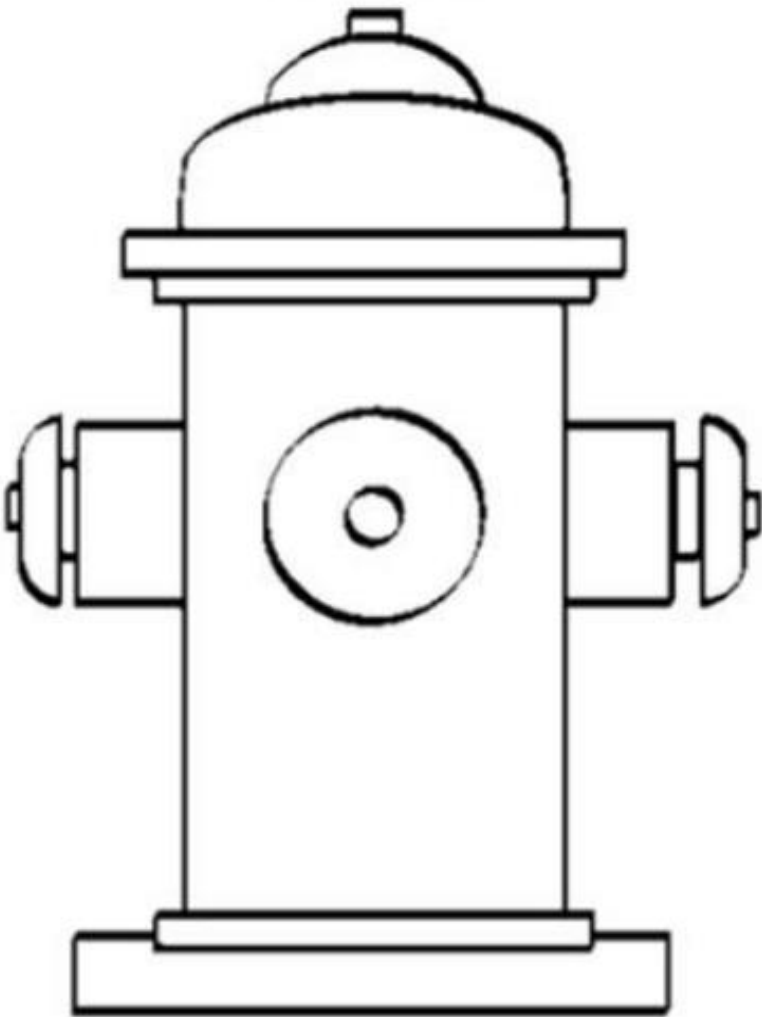
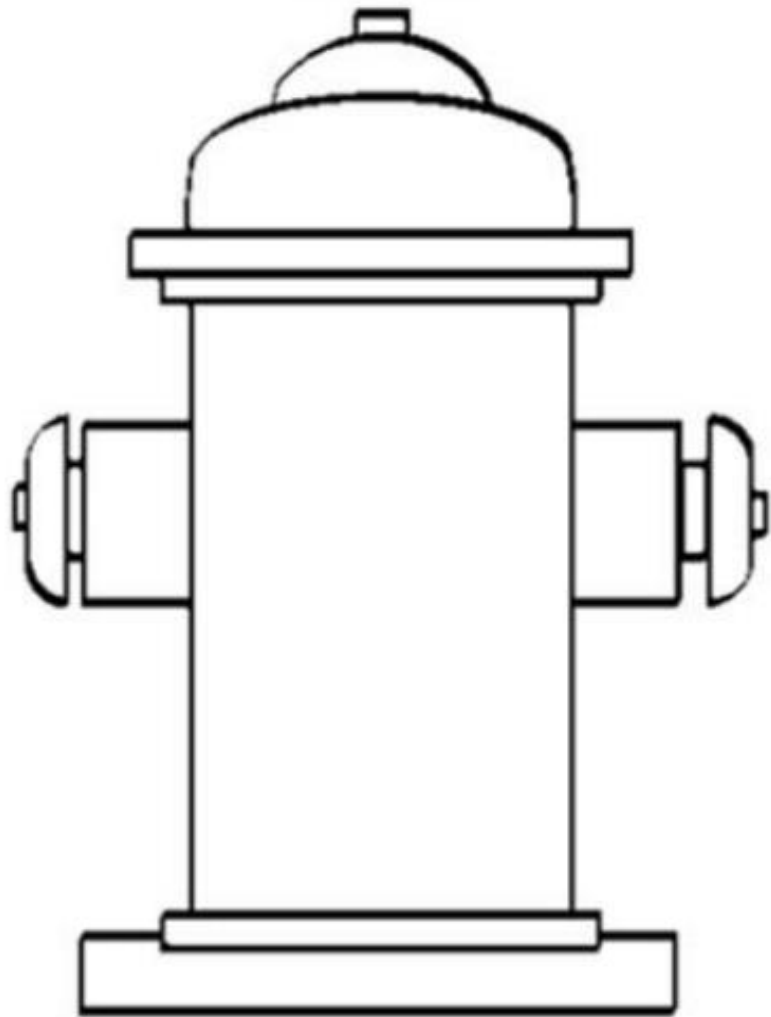


PAIN-A-HYDRANT DOWNTOWN PUBLIC ART

Front



Back



1. Painting may not reduce the hydrant's visibility.
 - * Paint may not be all black, all white, dark camouflage green, or use patterns and/or designs that reduce the hydrant's visibility.
 - * Black paint may not cover more than 20% of the overall hydrant
 - * Red paint may not cover more than 50% of the overall hydrant.
2. Bright and vibrant colors are encouraged.
3. No logos, copyrighted or trademarked graphics
4. No inappropriate words or images, advertisements, political messages, etc.
5. No objects can be attached or glued to fire hydrants.
6. Design must be appropriate for public places
 - * Paintings/art cannot endorse an individual or business.
 - * No offensive, derogatory or obscene graphics.
 - * No gang tags

DO NOT PAINT THE TOP KNOB OR SIDE KNOBS (painting the front knob is fine)

Return to: Jenny Kindy, Main Street Coordinator, JKindy@PilotMountainNC.Org
Town of Pilot Mountain 124 W Main Street Pilot Mountain NC 27041